

Prima

APBMW S8-4

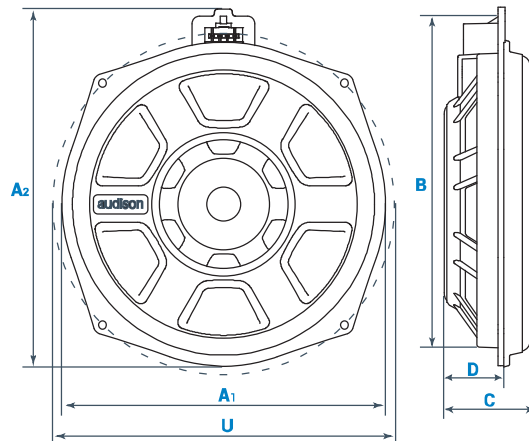
Subwoofer for BMW-MINI



TECHNICAL SPECIFICATIONS		
Component		Woofer
Size	mm (in.)	200 (8)
Power Handling	W peak	300
	W continuous	150
Impedance	Ω	4
Frequency Response	Hz	35 ÷ 500
Magnet size D x d x h	mm (in.)	48 (1.89) x 18 (0.71) x 7 (0.28)
Weight of one speaker	kg (lb.)	1,21 (2.67)
Voice Coil Ø	mm (in.)	50 (2)

ELECTRO-ACOUSTIC PARAMETERS		
D	mm	159
Xmax	mm	±7
Re	Ω	3,8
Fs	Hz	40
Le	mH	0,6
Vas	l	21
Mms	g	43
Cms	mm/N	0,38
BL	T·m	6
Qts		0,72
Qes		1,14
Qms		2
Spl	dB	88

- 1 Developed with electroacoustic parameters customized for BMW-Mini** to increase listening engagement, through powerful and crisp low frequencies, exploiting the acoustic load provided by the factory box;
- 2 Neodymium Magnetic group** with an inverted acoustic structure featuring an internal cone, to maximize performance while minimizing bulk and weight;
- 3 38 mm voice coil wound on aluminium support** for a considerable power dissipation and stability even during high excursions;
- 4 Two 5 mm gaskets provided** for OEM placements;
- 5 4 ohm configuration for maximum output** in combination with the AP 8.9 bit 4 channels bridged.



A1	A2	B	C	D	U
217 mm	239 mm	221 in.	62 mm	38 in.	229 in.
8.54 in.	9.41 in.	8.7 in.	2.44 in.	1.5 in.	9.02 in.



BMW and MINI are trademarks of BMW AG (Bayerische Motoren Werke Aktiengesellschaft)



Elettromedia
62018 Potenza Picena (MC) Italy
T +39 0733 870 870 - F +39 0733 870 880
www.elettromedia.it

